



mecatraction

*Preinsulated connections  
for thin conductors*

*according to EN 50 306*

**Railways connections**



**NEW**

# Traction and rolling stock products

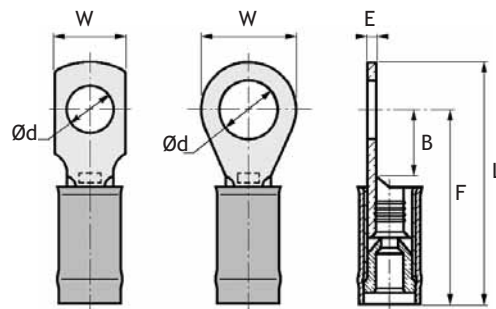
Preinsulated terminals for thin insulating conductors according to EN 50 306



**NEW**

## Characteristics

- Material: tin-plated copper



| Wire range<br>mm <sup>2</sup><br>(insulation colour) | Part number | core<br>Ø maxi | Ø insulation |      | Dimensions (mm) |      |     |      |      |     | Reducer<br>colour | Hand tool part<br>number |
|--|-------------|----------------|--------------|------|-----------------|------|-----|------|------|-----|-------------------|--------------------------|
|  |             |                | mini         | max. | Ø d             | W    | E   | L    | F    | B   |                   |                          |
| 0.5  | 451143      | 1.04           | 1.15         | 2.0  | 3.2             | 5.6  | 0.8 | 17.3 | 14.5 | 3.5 | Yellow            | TH1                      |
|  | 451153      |                |              |      | 3.2             | 8    | 0.8 | 21.5 | 17.5 | 6   |                   |                          |
|  | 451153R     |                |              |      | 3.2             | 6.5  | 0.8 | 21   | 17   | 5.5 |                   |                          |
|  | 451154      |                |              |      | 4.2             | 8    | 0.8 | 21.5 | 17.5 | 6   |                   |                          |
|  | 451154R     |                |              |      | 4.2             | 6.5  | 0.8 | 21   | 17   | 5.5 |                   |                          |
|  | 451155      |                |              |      | 5.2             | 8    | 0.8 | 21.5 | 17.5 | 6   |                   |                          |
|  | 451134      |                |              |      | 4.2             | 12.5 | 0.8 | 27   | 20.7 | 6.5 |                   |                          |
|  | 451135      |                |              |      | 5.2             | 12.5 | 0.8 | 27   | 20.7 | 6.5 |                   |                          |
|  | 451136      |                |              |      | 6.3             | 12.5 | 0.8 | 27   | 20.7 | 6.5 |                   |                          |
| 451138   | 8.4         | 12.5           | 0.8          | 27   | 20.7            | 6.5  |     |      |      |     |                   |                          |
| 0.75   | 551143      | 1.15           | 1.30         | 2.0  | 3.2             | 5.6  | 0.8 | 17.3 | 14.5 | 3.5 | Brown             | TH1                      |
|  | 551153      |                |              |      | 3.2             | 8    | 0.8 | 21.5 | 17.5 | 6   |                   |                          |
|  | 551153R     |                |              |      | 3.2             | 6.5  | 0.8 | 21   | 17   | 5.5 |                   |                          |
|  | 551154      |                |              |      | 4.2             | 8    | 0.8 | 21.5 | 17.5 | 6   |                   |                          |
|  | 551154R     |                |              |      | 4.2             | 6.5  | 0.8 | 21   | 17   | 5.5 |                   |                          |
|  | 551155      |                |              |      | 5.2             | 8    | 0.8 | 21.5 | 17.5 | 6   |                   |                          |
|  | 551134      |                |              |      | 4.2             | 12.5 | 0.8 | 27   | 20.7 | 6.5 |                   |                          |
|  | 551135      |                |              |      | 5.2             | 12.5 | 0.8 | 27   | 20.7 | 6.5 |                   |                          |
|  | 551136      |                |              |      | 6.3             | 12.5 | 0.8 | 27   | 20.7 | 6.5 |                   |                          |
| 551138   | 8.4         | 12.5           | 0.8          | 27   | 20.7            | 6.5  |     |      |      |     |                   |                          |
| 1.00   | 351143      | 1.30           | 1.45         | 2.0  | 3.2             | 5.6  | 0.8 | 17.3 | 14.5 | 3.5 | White             | TH1                      |
|  | 351153      |                |              |      | 3.2             | 8    | 0.8 | 21.5 | 17.5 | 6   |                   |                          |
|  | 351153R     |                |              |      | 3.2             | 6.5  | 0.8 | 21   | 17   | 5.5 |                   |                          |
|  | 351154      |                |              |      | 4.2             | 8    | 0.8 | 21.5 | 17.5 | 6   |                   |                          |
|  | 351154R     |                |              |      | 4.2             | 6.5  | 0.8 | 21   | 17   | 5.5 |                   |                          |
|  | 351155      |                |              |      | 5.2             | 8    | 0.8 | 21.5 | 17.5 | 6   |                   |                          |
|  | 351134      |                |              |      | 4.2             | 12.5 | 0.8 | 27   | 20.7 | 6.5 |                   |                          |
|  | 351135      |                |              |      | 5.2             | 12.5 | 0.8 | 27   | 20.7 | 6.5 |                   |                          |
|  | 351136      |                |              |      | 6.3             | 12.5 | 0.8 | 27   | 20.7 | 6.5 |                   |                          |
| 351138   | 8.4         | 12.5           | 0.8          | 27   | 20.7            | 6.5  |     |      |      |     |                   |                          |

Note: part number with "R" suffix are for square terminals.

# Traction and rolling stock products

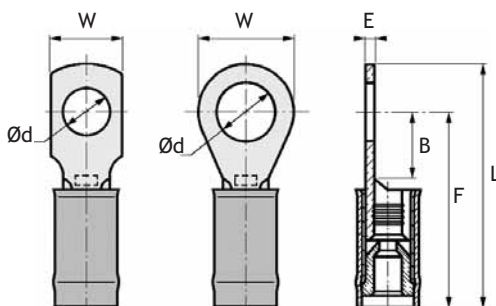
Preinsulated terminals for thin insulating conductors according to EN 50 306



**NEW**

## Characteristics

- Material: tin-plated phosphorous bronze



| Wire range<br>mm <sup>2</sup><br>(insulation colour) | Part number | core<br>Ø maxi | Ø insulation |      | Dimensions (mm) |      |     |      |      |     | Reducer<br>colour | Hand tool part<br>number |
|--|-------------|----------------|--------------|------|-----------------|------|-----|------|------|-----|-------------------|--------------------------|
|  |             |                | mini         | max. | Ø d             | W    | E   | L    | F    | B   |                   |                          |
| 1.5  | 451183      | 1.65           | 1.80         | 2.70 | 3.2             | 8.6  | 0.8 | 21.5 | 17.2 | 6   | Orange            | TH2                      |
|  | 451183R     |                |              |      | 3.2             | 6.5  | 0.8 | 21   | 17   | 5.5 |                   |                          |
|  | 451184      |                |              |      | 4.2             | 8.6  | 0.8 | 21.5 | 17.2 | 6   |                   |                          |
|  | 451184R     |                |              |      | 4.2             | 6.5  | 0.8 | 21   | 17   | 5.5 |                   |                          |
|  | 451185      |                |              |      | 5.2             | 8.6  | 0.8 | 21.5 | 17.2 | 6   |                   |                          |
|  | 451174      |                |              |      | 4.2             | 12.5 | 0.8 | 21   | 20.7 | 6   |                   |                          |
|  | 451175      |                |              |      | 5.2             | 12.5 | 0.8 | 27   | 20.7 | 6   |                   |                          |
|  | 451176      |                |              |      | 6.3             | 12.5 | 0.8 | 27   | 20.7 | 6   |                   |                          |
| 2.5  | 451178      | 2.15           | 2.30         | 2.90 | 8.4             | 12.5 | 0.8 | 27   | 20.7 | 6   | Black             | TH2                      |
|  | 551183      |                |              |      | 3.2             | 8.6  | 0.8 | 21.5 | 17.2 | 6   |                   |                          |
|  | 551183R     |                |              |      | 3.2             | 6.5  | 0.8 | 21   | 17   | 5.5 |                   |                          |
|  | 551184      |                |              |      | 4.2             | 8.6  | 0.8 | 21.5 | 17.2 | 6   |                   |                          |
|  | 551184R     |                |              |      | 4.2             | 6.5  | 0.8 | 21   | 17   | 5.5 |                   |                          |
|  | 551185      |                |              |      | 5.2             | 8.6  | 0.8 | 21.5 | 17.2 | 6   |                   |                          |
|  | 551174      |                |              |      | 4.2             | 12.5 | 0.8 | 21   | 20.7 | 6   |                   |                          |
|  | 551175      |                |              |      | 5.2             | 12.5 | 0.8 | 27   | 20.7 | 6   |                   |                          |
| 551176   | 6.3         | 12.5           | 0.8          | 27   | 20.7            | 6    |     |      |      |     |                   |                          |
| 551178   | 8.4         | 12.5           | 0.8          | 27   | 20.7            | 6    |     |      |      |     |                   |                          |

Note: part number with "R" suffix are for square terminals.

# Traction and rolling stock products

Preinsulated disconnects and preinsulated cables pins for thin conductors according to EN 50 306



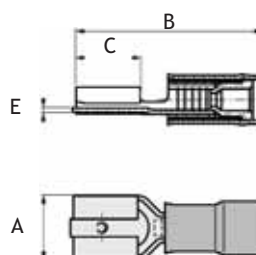
**NEW**

## Characteristics

- Preinsulated disconnects: tin-plated phosphorous bronze
- Preinsulated cables pins: tin-plated copper

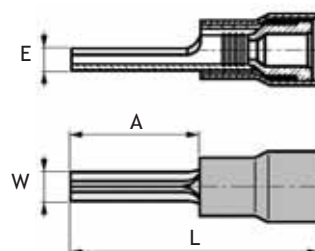


## Preinsulated disconnects for thin insulating conductors according to EN 50 306



| Wire range mm <sup>2</sup> (insulation colour) | Part number | Tabs l x e | core Ø maxi | Ø insulation |      | Dimensions (mm) |      |     |      | Reducer colour | Hand tool part number |
|--|-------------|------------|-------------|--------------|------|-----------------|------|-----|------|----------------|-----------------------|
|  |             |            |             | mini         | max. | A               | B    | C   | E    |                |                       |
| 0.5  | 451031      | 2.8x0.5    | 1.04        | 1.15         | 2.0  | 3.7             | 18.5 | 6.5 | 0.25 | Yellow         | TH1                   |
|  | 451081      | 5x0.8      |             |              |      | 6.4             | 21.5 | 7.7 | 0.5  |                |                       |
|  | 451181      | 6.35x0.8   |             |              |      | 7.7             | 21.5 | 7.7 | 0.5  |                |                       |
| 0.75   | 551031      | 2.8x0.5    | 1.15        | 1.30         | 2.0  | 3.7             | 18.5 | 6.5 | 0.25 | Brown          | TH1                   |
|  | 551081      | 5x0.8      |             |              |      | 6.4             | 21.5 | 7.7 | 0.5  |                |                       |
|  | 551181      | 6.35x0.8   |             |              |      | 7.7             | 21.5 | 7.7 | 0.5  |                |                       |
| 1.0  | 51033       | 2.8x0.5    | 1.30        | 1.45         | 2.0  | 3.7             | 18.5 | 6.5 | 0.25 | White          | TH1                   |
|  | 51083       | 5x0.8      |             |              |      | 6.4             | 21.5 | 7.7 | 0.5  |                |                       |
|  | 51183       | 6.35x0.8   |             |              |      | 7.7             | 21.5 | 7.7 | 0.5  |                |                       |
| 1.5  | 451131      | 5x0.8      | 1.65        | 1.80         | 2.70 | 6.4             | 21.5 | 7.7 | 0.5  | Orange         | TH2                   |
|  | 451231      | 6.35x0.8   |             |              |      | 7.7             | 21.5 | 7.7 | 0.5  |                |                       |
| 2.5  | 551131      | 5x0.8      | 2.15        | 2.30         | 2.90 | 6.4             | 21.5 | 7.7 | 0.5  | Black          | TH2                   |
|  | 551231      | 6.35x0.8   |             |              |      | 7.7             | 21.5 | 7.7 | 0.5  |                |                       |

## Preinsulated cable pins for thin insulating conductors according to EN 50 306



| Wire range mm <sup>2</sup> (insulation colour) | Part number | core Ø maxi | Ø insulation |      | Dimensions (mm) |    |      |     | Reducer colour | Hand tool part number |
|--|-------------|-------------|--------------|------|-----------------|----|------|-----|----------------|-----------------------|
|  |             |             | mini         | max. | W               | A  | L    | E   |                |                       |
| 0,5  | 451220      | 1.04        | 1.15         | 2.0  | 1.6             | 10 | 22.5 | 1.9 | Yellow         | TH1                   |
| 0,75   | 551220      | 1.15        | 1.30         | 2.0  | 1.6             | 10 | 22.5 | 1.9 | Brown          |                       |
| 1,0  | 351220      | 1.30        | 1.45         | 2.0  | 1.6             | 10 | 22.5 | 1.9 | White          |                       |

